



CONTACT
WALKER HAY ARCHITECTS
 Vault 4, Somerset House, London WC2A 1LA
 james@walkerhay.com | +44 (0)7775 563 897

CLIENT
ALASKA PROJECTS

DRAWING
**INDICATIVE VIEW
 PROPOSED**

NORTH

REV P1 DATE 10.07.20 FOR PLANNING

DRAWING KEY

W A L

INTELLECTUAL PROPERTY
 This drawing is the property of Walker Hay Architects and shall not be reproduced in whole or in part without express written permission from the originator. This drawing is copyright. Do not scale.

PROJECT
**SHREWSBURY BUSINESS PARK
 PLOT 28A**

PROJECT NO.
1701

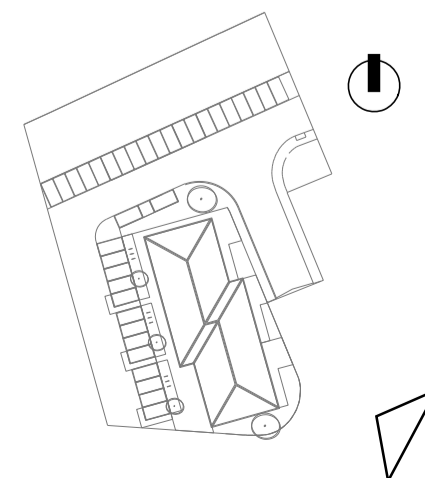
SCALE
N/A

STATUS
INFORMATION

DRAWN JH CHECKED JH DATE 03.07.20

DRAWING NUMBER
1701-PA-L1-31

REVISION
P1



K E R

H A Y